

osmotron® *QuadRO*
Compact Reverse Osmosis Unit



- Low cost production of demineralised water
- Two versions: 160 and 260 l/h
- Fully automatic with water quality and status indication
- Low energy consumption: single phase
- Extremely compact: ideal for installation under worktops
- Durable easy to clean cabinet
- Easily manoeuvrable: in-built castors

This ultra compact reverse osmosis and treated water tank combination is designed to replace the usual multi-component system where space and ease of operation are required. The *QuadRO* is a new concept in water demineralisation and utilises membranes for mineral elimination. Designed around the 'easy-plumb and go' concept, it incorporates a 65 litre treated water tank and delivery pump, and requires only single phase 240V power supply.

The key components are:

Automatic Controller

At the heart of the unit a simple microprocessor controls the unit and provides a continuous indication of water quality and alarm status. This ensures simple and effective control whatever the on-site conditions.

Polypropylene Cabinet

This tough washable cabinet houses all the components making the unit ideal for use in wet or regularly washed down areas. The cabinet is fitted with roller castors and when combined with flexible hose fittings is easily moved for cleaning etc.

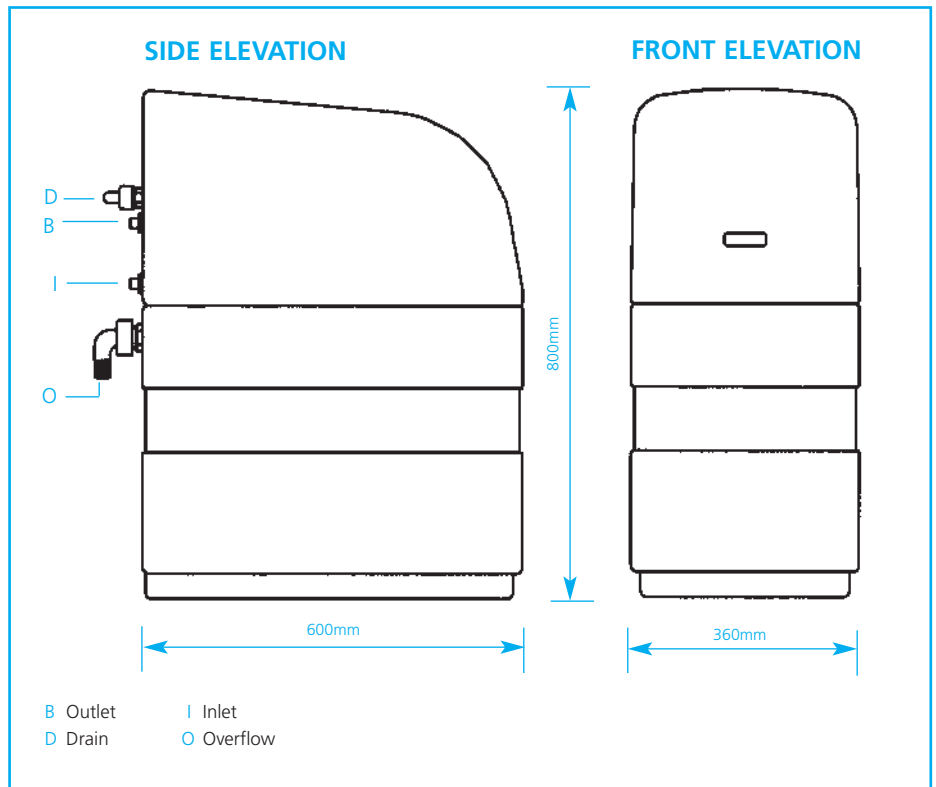
Reverse Osmosis Unit

Demineralisation is effected by use of the latest high efficiency/low energy membranes. These resilient membranes are able to withstand years of duty when supplied with soft or relatively soft mains water (our engineers will advise on any softening requirements).

Programmable post service flushing ensures that the membranes are cleaned after every service cycle.

Treated Water Tank and Pump

Designed to store and provide treated water for process equipment start-up. The on-board transfer pump will ensure water is delivered to service at the required pressure.



TECHNICAL INFORMATION

Treated water production rate

<i>QuadRO</i> I	160 l/hr at 15°C
<i>QuadRO</i> II	260 l/hr at 15°C

Treated water storage capacity

65 litres

RO water delivery rate to service

2,000 l/h @ 3.6 bar

Installed power

1.8 Kw

Electrical requirements

240V, 50Hz, 1 Phase (13 A fuse)

Approximate dimensions

Depth	600mm
Width	360mm
Height	800mm

Water connections

Inlet	3/4" BSPM
Outlet	3/4" BSPM
Drain	3/4" BSPM
Standard hose kit supplied	

Lubron UK

Lubron UK Ltd
14 Commerce Way, Colchester
Essex CO2 8HH, United Kingdom
Tel: +44 (0)1206 866444
Fax: +44 (0)1206 866800
www.lubron.co.uk

Lubron Nederland

Lubron Waterbehandeling B.V.
Mechelaarstraat 38
4903 RE Oosterhout (NB)
Postbus 540, Nederland
Tel: +31 (0)162-426931
Fax: +31 (0)162-459192
www.lubronwaterbehandeling.nl

Lubron België

Lubron Belgium B.V.B.A.
Antwerpsesteenweg 124
B-2630 Aartselaar, België
Tel: +32 (0)3877 1519
Fax: +32 (0)3877 2884

Lubron Deutschland

Lubron Wasseraufbereitung GmbH
Riedstrasse 27
D-71691 Freiberg am Neckar
Deutschland
Tel: +49 (0)7141 2986130
Fax: +49 (0)7141 2986159
www.lubron.de