

Reverse Osmosis Systems

Mini RO Series



The Mini RO series reverse osmosis system is a unique modern range of quality engineered units designed with the following key features:

- ultra-quiet operation - > 63dbA
- fully automatic with 'water on demand' sensing
- optimised for membrane and treated water cleanliness
- simple, straightforward installation with single phase electrics
- quality and status display

LUBRON

W A T E R T E C H N O L O G I E S

TECHNICAL DETAILS

Model
Capacity @ 15°C
Working pressure (no backpressure)
Stainless steel frame
Dimensions (W x D x H)
Pre-filter cartridge
Inlet valve
Inlet pressure switch
HP Pump
Electro motor
Membrane(s)
Reject restriction
Permeate outlet with:
Micro processor controller
Functions:
Conductivity
Alarm
Connections:
Inlet
Permeate outlet
Reject/drain

MiniRO 1
150 l/h
11 bar

650 x 325 x 430 mm
10" - 5 micron
Buschjost 1/2" 230V, 50Hz
1/2" - 0.8 bar
Rotary vane 800 l/h
230V, 50Hz - 0.55kW
1 x 4021 ESPA 4
WDV 1/2" - 1 lpm

MiniRO 2
250 l/h
11 bar

650 x 325 x 430 mm
10" - 5 micron
Buschjost 1/2" 230V, 50Hz
1/2" - 0.8 bar
Rotary vane 800 l/h
230V, 50Hz - 0.55kW
2 x 4021 ESPA 4
WDV 1/2" - 2 lpm

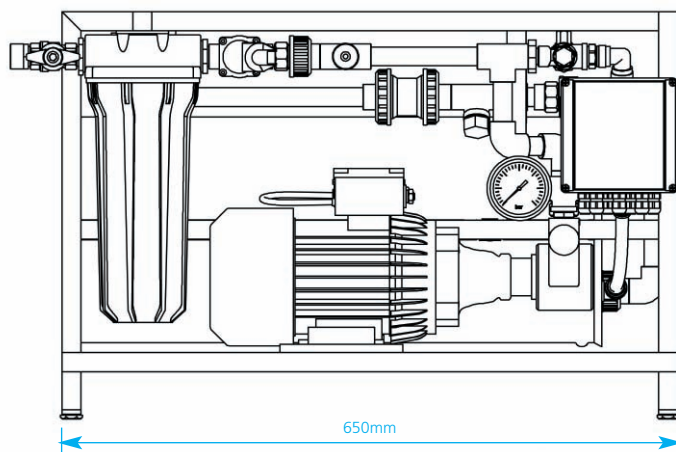
Smart XL
400 l/h
8 bar

1150 x 325 x 430 mm
10" - 5 micron
Buschjost 1/2" 230V, 50Hz
1/2" - 0.8 bar
Rotary vane 1000 l/h
230V, 50Hz - 0.55kW
2 x 4040 ESPA 4
WDV 1/2" - 3 lpm

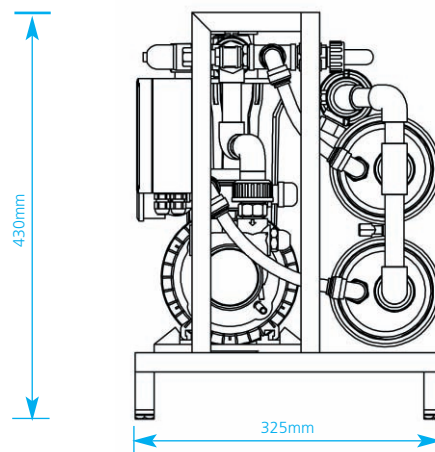
Non return valve, pressure switch and small pressure tank
OS 3020 controller
Service, stand by, rinse and interval rinse
Conductivity read out; and alarm at (min/max) set points
One potential free alarm contact

3/4" BSPM
3/4" pvc union
16mm hose barb

FRONT ELEVATION



SIDE ELEVATION



Lubron UK

Lubron UK Ltd
14 Commerce Way, Colchester
Essex CO2 8HH, United Kingdom
Tel: +44 (0)1206 866444
Fax: +44 (0)1206 866800
www.lubron.co.uk

Lubron Nederland

Lubron Waterbehandeling B.V.
Mechelaarstraat 38
4903 RE Oosterhout (NB)
Postbus 540, Nederland
Tel: +31 (0)162-426931
Fax: +31 (0)162-459192
www.lubronwaterbehandeling.nl

Lubron België

Lubron Belgium B.V.B.A.
Antwerpsesteenweg 124
B-2630 Aartselaar, België
Tel: +32 (0)3877 1519
Fax: +32 (0)3877 2884

Lubron Deutschland

Lubron Wasseraufbereitung GmbH
Riedstrasse 27
71691 Freiberg am Neckar
Deutschland
Tel: +49 (0)7141 2986130
Fax: +49 (0)7141 2986159
www.lubron.de