

# Reverse Osmosis System FK Series for Borehole Water



Many available underground water sources such as boreholes or deep wells, if treated appropriately, can be utilised for potable or industrial water processes. Often only simple filtration or mineral reduction or conditioning is all that is needed, but sometimes quite sophisticated treatment process, such as total mineral elimination may be the only option.

On occasions, depending on the raw water chemistry and process requirements, direct treatment of the water without the need for other pre-treatment or filtration may provide the desired quality.

It is specifically for these situations that the FK range of RO units have been designed, which with modular selection, allows almost limitless possibilities up to 200 m<sup>3</sup>/h.

## PRODUCT RANGE

Model	Capacity Permeate at 15° C	Required Inlet Flow and Pressure	Membrane Pressure	Electrical Power	
				Installed	Consumed
FK01.404	1.0 m <sup>3</sup> /hr	2.60 m <sup>3</sup> /hr at 4.6 bar	7.80 bar	3.0 kw	2.3 kw
FK02.404	2.1 m <sup>3</sup> /hr	5.20 m <sup>3</sup> /hr at 4.7 bar	7.50 bar	3.0 kw	2.4 kw
FK03.404	3.1 m <sup>3</sup> /hr	7.80 m <sup>3</sup> /hr at 4.9 bar	7.30 bar	3.0 kw	2.4 kw
FK04.404	4.2 m <sup>3</sup> /hr	10.40 m <sup>3</sup> /hr at 4.6 bar	7.80 bar	4.0 kw	3.4 kw
FK05.404	5.2 m <sup>3</sup> /hr	13.00 m <sup>3</sup> /hr at 5.3 bar	7.50 bar	5.5 kw	4.2 kw
FK06.404	6.3 m <sup>3</sup> /hr	15.60 m <sup>3</sup> /hr at 5.3 bar	8.10 bar	7.5 kw	5.3 kw
FK08.404	8.4 m <sup>3</sup> /hr	21.00 m <sup>3</sup> /hr at 4.2 bar	8.30 bar	11.0 kw	6.6 kw
FK10.404	10.4 m <sup>3</sup> /hr	20.80 m <sup>3</sup> /hr at 4.4 bar	8.30 bar	11.0 kw	6.6 kw
FK12.404	24.0 m <sup>3</sup> /hr	24.00 m <sup>3</sup> /hr at 4.3 bar	8.50 bar	11.0 kw	7.5 kw

## TECHNICAL DATA

Electrical connections  
400V 3 Phase 50 Hz

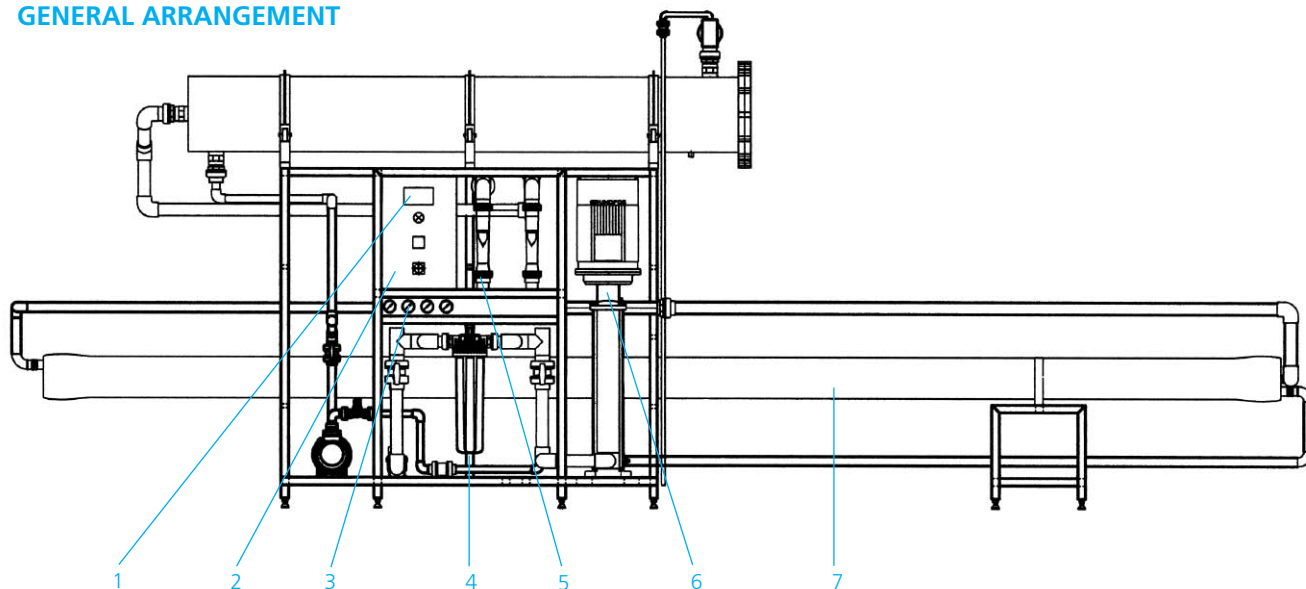
### Typical performance

Recovery:

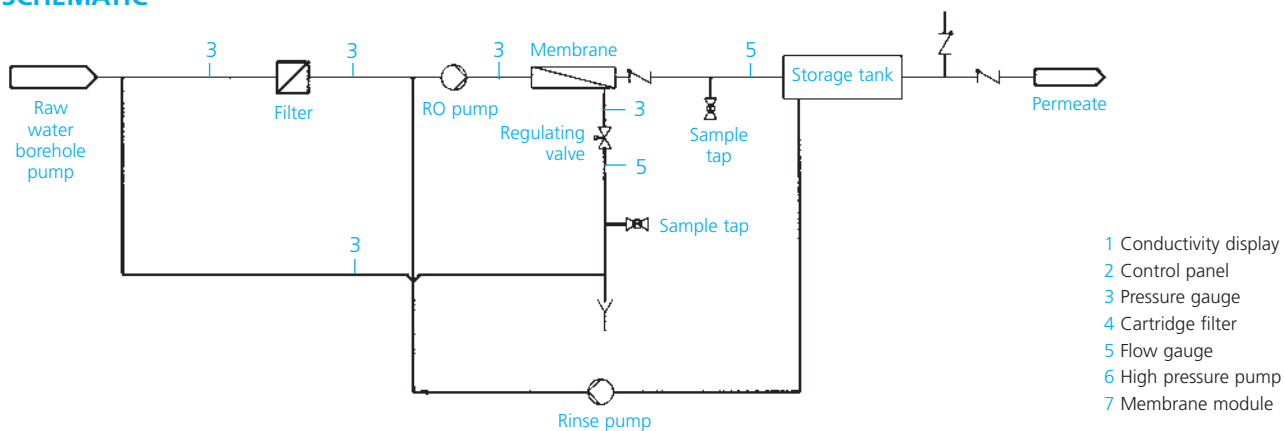
40% for models FK01.404 to FK08.404

50% for models FK10.404 and FK12.404

## GENERAL ARRANGEMENT



## SCHEMATIC



### Lubron UK

Lubron UK Ltd  
14 Commerce Way, Colchester  
Essex CO2 8HH, United Kingdom  
Tel: +44 (0)1206 866444  
Fax: +44 (0)1206 866800  
www.lubron.co.uk

### Lubron Nederland

Lubron Waterbehandeling B.V.  
Mechelaarstraat 38  
4903 RE Oosterhout (NB)  
Postbus 540, Nederland  
Tel: +31 (0)162-426931  
Fax: +31 (0)162-459192  
www.lubronwaterbehandeling.nl

### Lubron België

Lubron Belgium B.V.B.A.  
Antwerpsesteenweg 124  
B-2630 Aartselaar, België  
Tel: +32 (0)3877 1519  
Fax: +32 (0)3877 2884

### Lubron Deutschland

Lubron Wasseraufbereitung GmbH  
Riedstrasse 27  
71691 Freiberg am Neckar  
Deutschland  
Tel: +49 (0)7141 2986130  
Fax: +49 (0)7141 2986159  
www.lubron.de